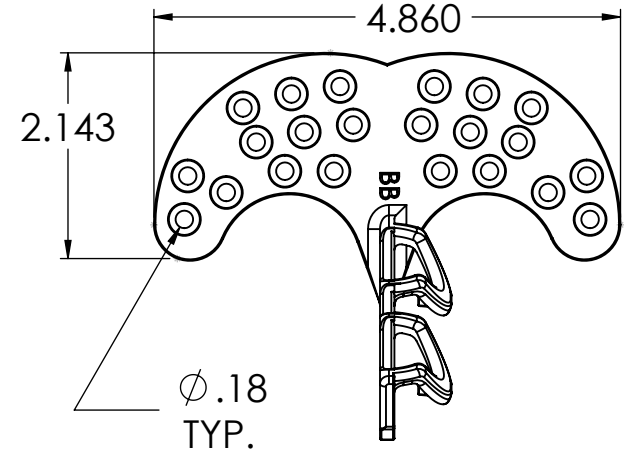
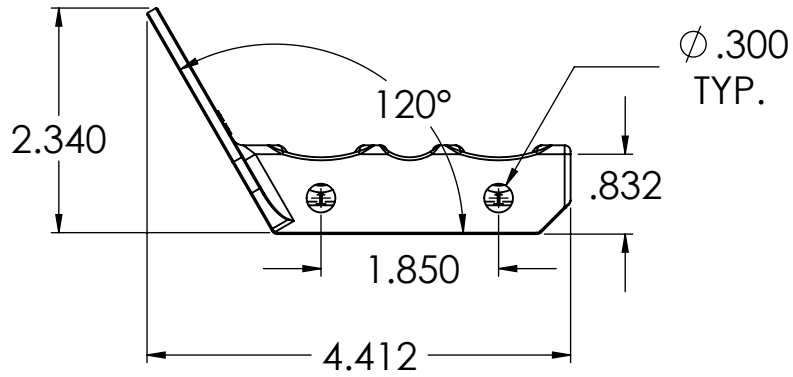
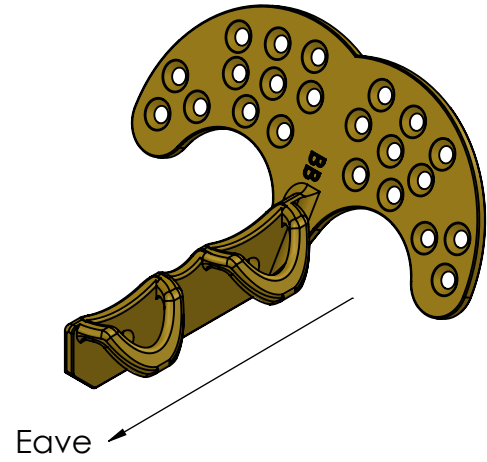
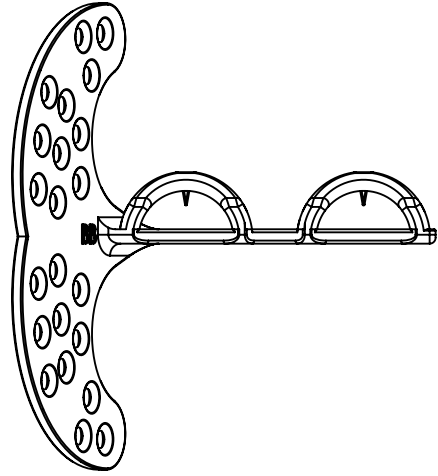


Install in accordance with Berger's written specifications and instructions. Contact Berger for detailed layout, spec sheet for detailed material, finishes, and configuration options. Do not scale drawings. Subject to change without notice



BERGER
QUALITY BUILDING PRODUCTS SINCE 1874

Berger Building Products, Inc
 805 Pennsylvania Blvd
 Feasterville, PA 19053

www.bergerbp.com

Phone: 800-523-8852
 Fax: 215-355-7738

**Berger #1 Snow Guard Shoe for
 Standing Seam Metal Roofing
 SGML-1/SGBR-1**

Material: Refer to Spec Sheet

SCALE 1:2	DWG. NO.	SHEET 1 OF 1
---------------------	----------	----------------------------