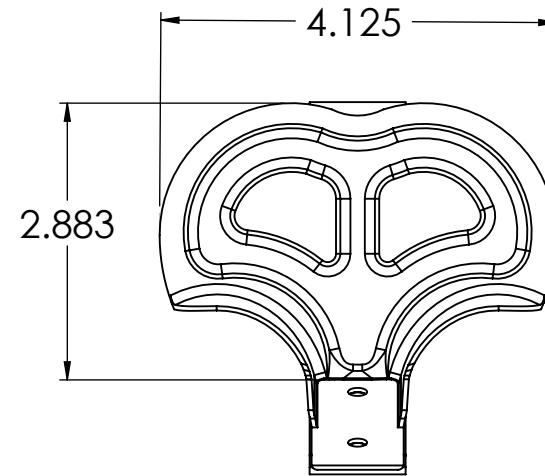
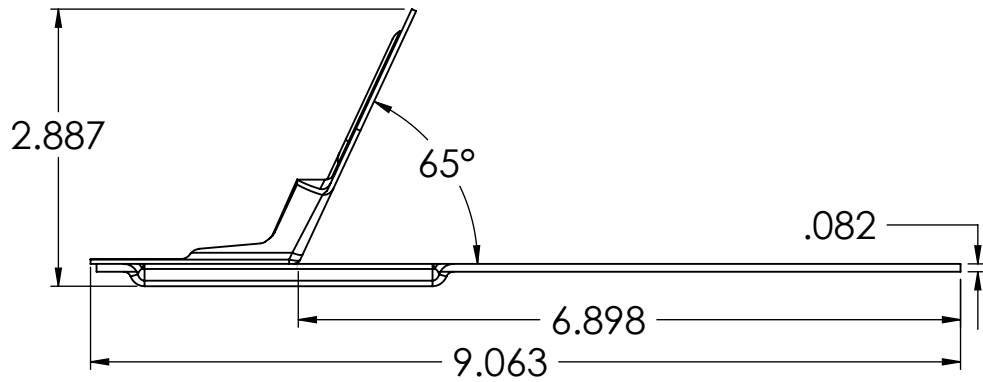
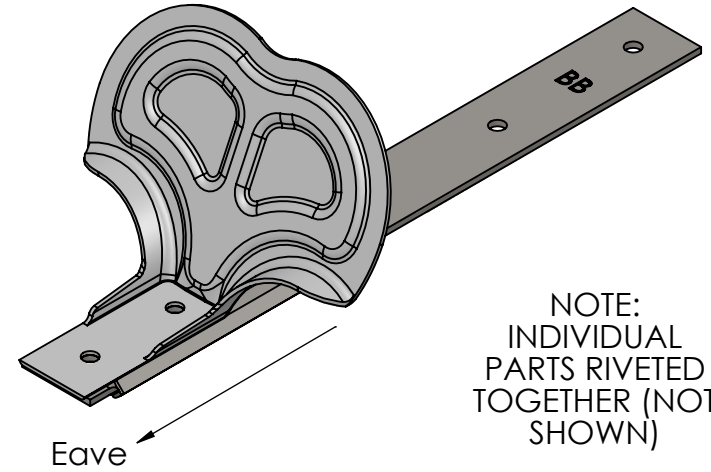
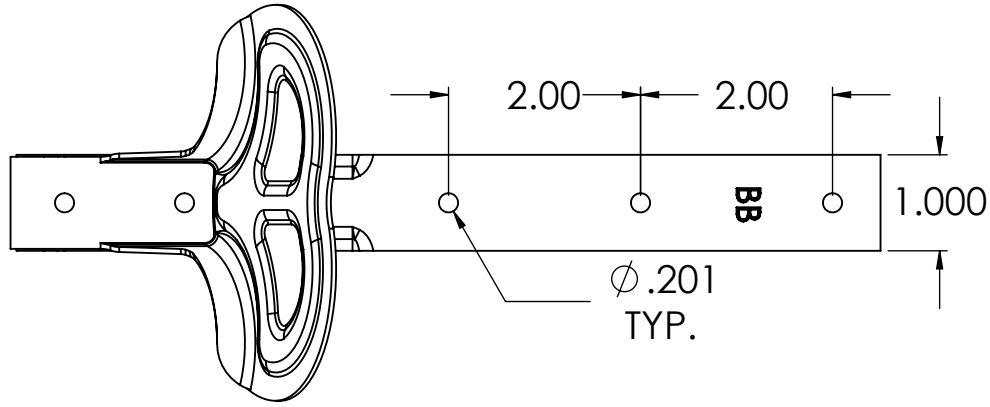


Install in accordance with Berger's written specifications and instructions. Contact Berger for detailed layout, spec sheet for detailed material, finishes, and configuration options. Do not scale drawings. Subject to change without notice



BERGER[®]

QUALITY BUILDING PRODUCTS SINCE 1874

Berger Building Products, Inc
 805 Pennsylvania Blvd
 Feasterville, PA 19053

www.bergerbp.com

Phone: 800-523-8852
 Fax: 215-355-7738

Berger Modified #100HP
 Snow Guard for Asphalt
 Shingled Roofs
#100HP

Material: Refer to Spec Sheet

SCALE
1:2

DWG. NO.

SHEET 1 OF 1