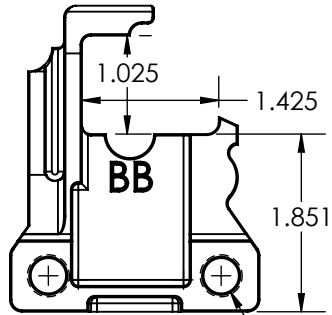
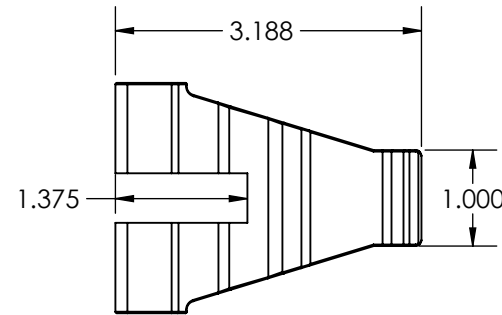
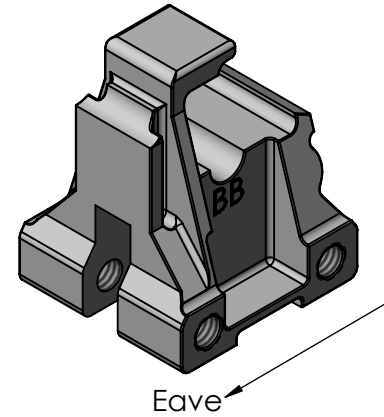
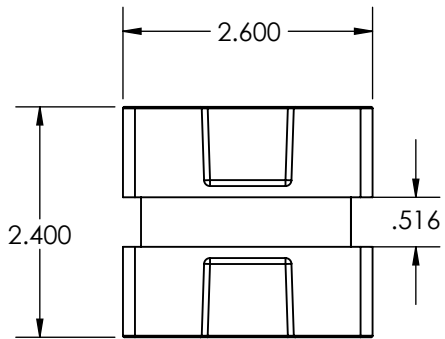


Install in accordance with Berger's written specifications and instructions. Contact Berger for detailed layout, spec sheet for detailed material, finishes, and configuration options. Do not scale drawings. Subject to change without notice



2x 7/16-14 UNC THRU



NOTE: TUBING NOT SHOWN

BERGER[®]

QUALITY BUILDING PRODUCTS SINCE 1874

Berger Building Products, Inc
805 Pennsylvania Blvd
Feasterville, PA 19053

www.bergerbp.com

Phone: 800-523-8852
Fax: 215-355-7738

Berger E-Rail Casting
"E" Casting (tubing not shown)

Material: Refer to Spec Sheet

SCALE
1:2

DWG. NO.

SHEET 1 OF 1