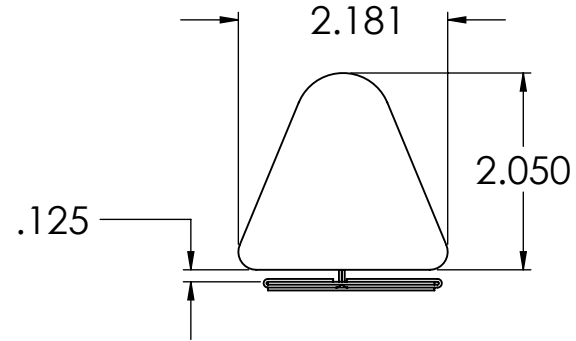
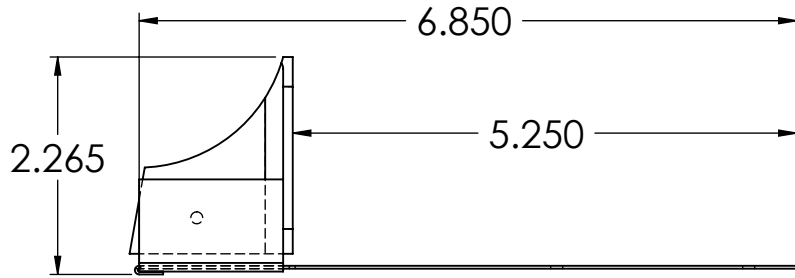
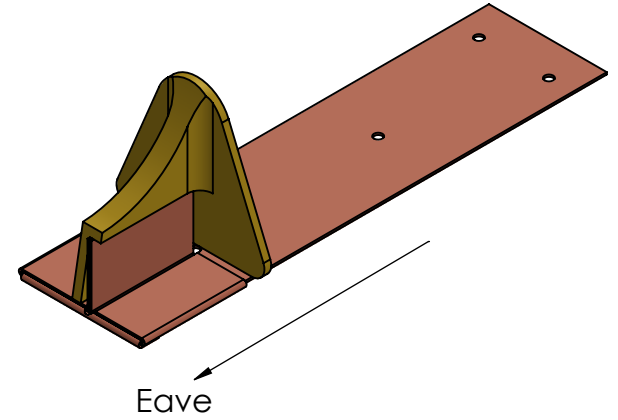
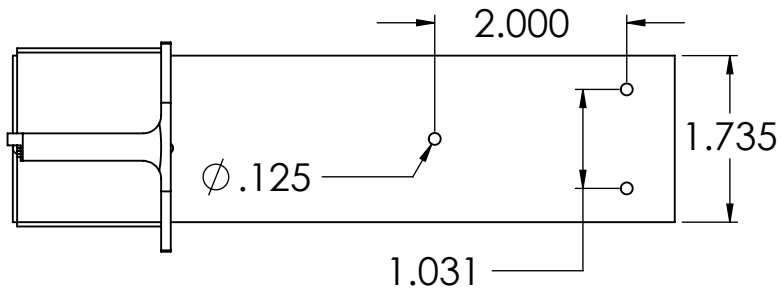


Install in accordance with Berger's written specifications and instructions. Contact Berger for detailed layout, spec sheet for detailed material, finishes, and configuration options. Do not scale drawings. Subject to change without notice



**BERGER**<sup>®</sup>

QUALITY BUILDING PRODUCTS SINCE 1874

Berger Building Products, Inc  
805 Pennsylvania Blvd  
Feasterville, PA 19053

www.bergerbp.com

Phone: 800-523-8852  
Fax: 215-355-7738

Mullane #200S for Asphalt  
Shingle Roofing  
**200S-AS**

Material: Refer to Spec Sheet

SCALE  
**1:2**

DWG. NO.

SHEET 1 OF 1