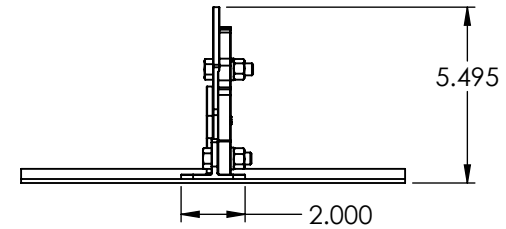
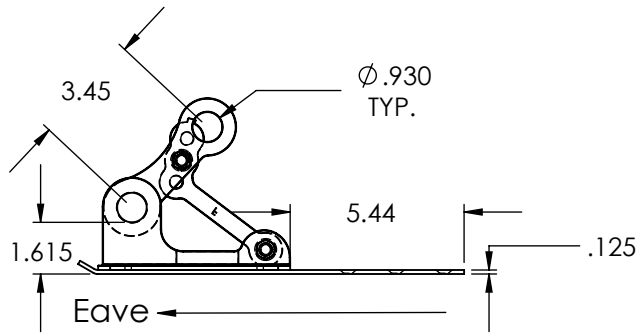
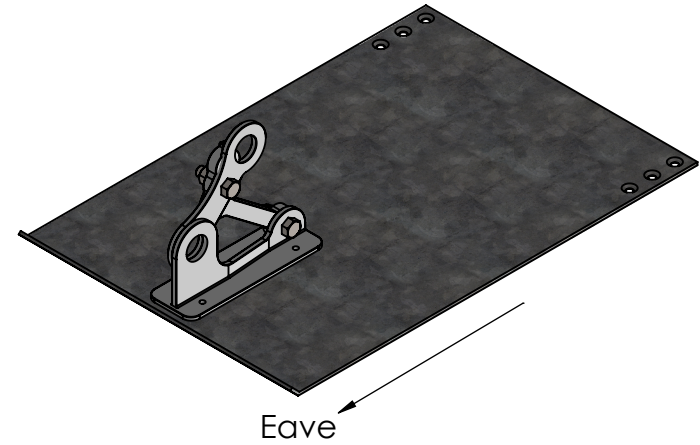
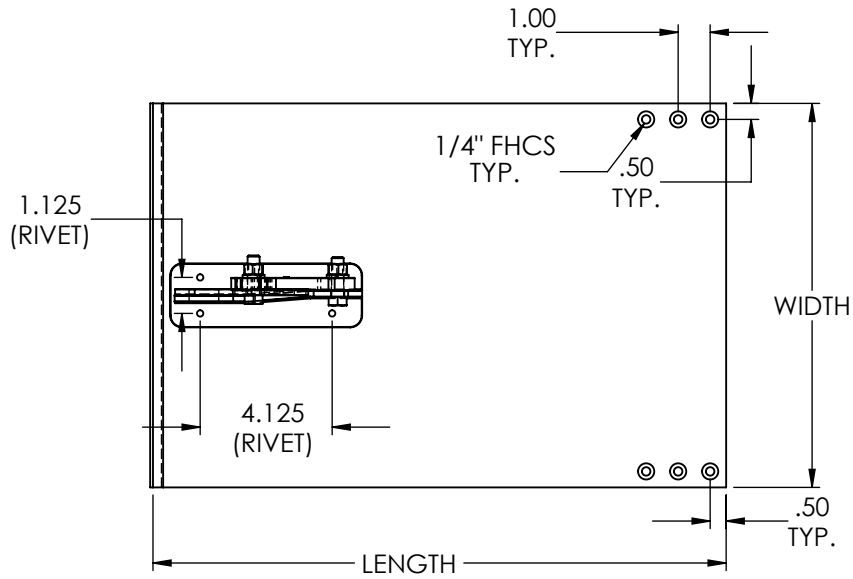


Install in accordance with Berger's written specifications and instructions. Contact Berger for detailed layout, spec sheet for detailed material, finishes, and configuration options. Do not scale drawings. Subject to change without notice



Base plate is measured in inches - L x W to match the slate dimension.

Slate Size: _____
 Length: _____
 Width: _____

BERGER[®]

QUALITY BUILDING PRODUCTS SINCE 1874

Berger Building Products, Inc
 805 Pennsylvania Blvd
 Feasterville, PA 19053

www.bergerbp.com

Phone: 800-523-8852
 Fax: 215-355-7738

Mullane Firrite Fence
 Bracket (for 2 Pipes)
FR121/FR122

Material: Refer to Spec Sheet

SCALE
1:6

DWG. NO.

SHEET 1 OF 1