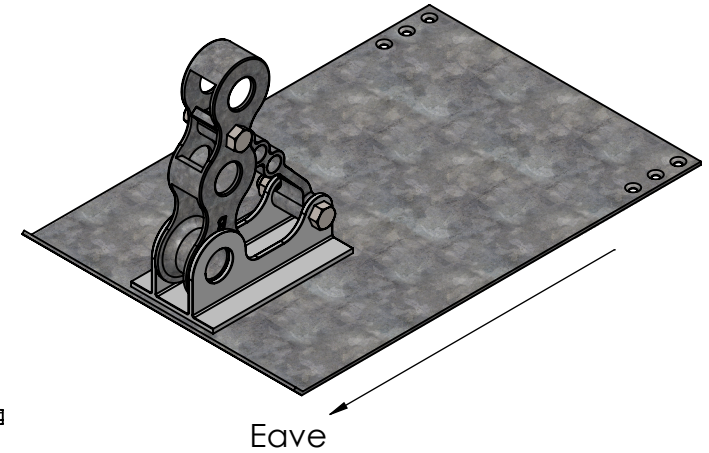
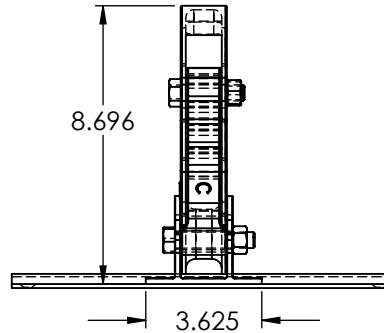
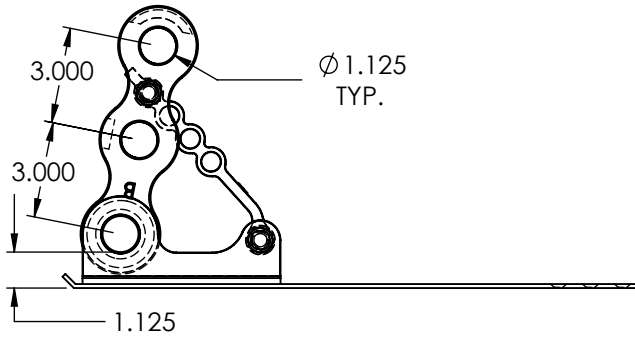
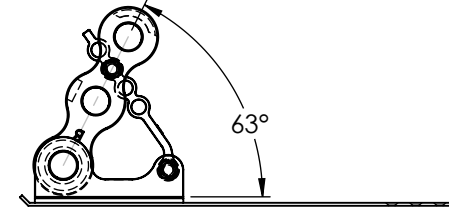
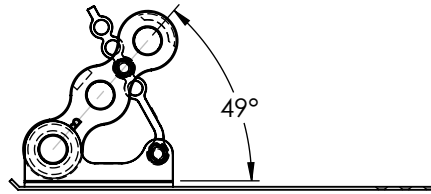
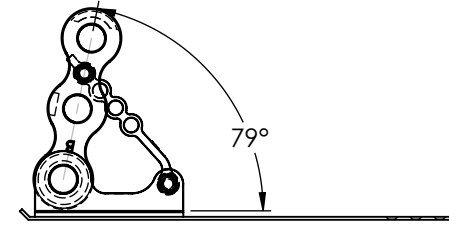
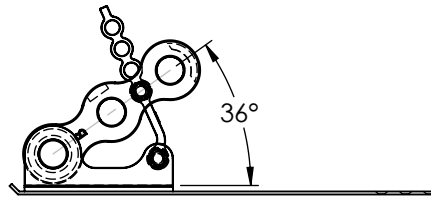
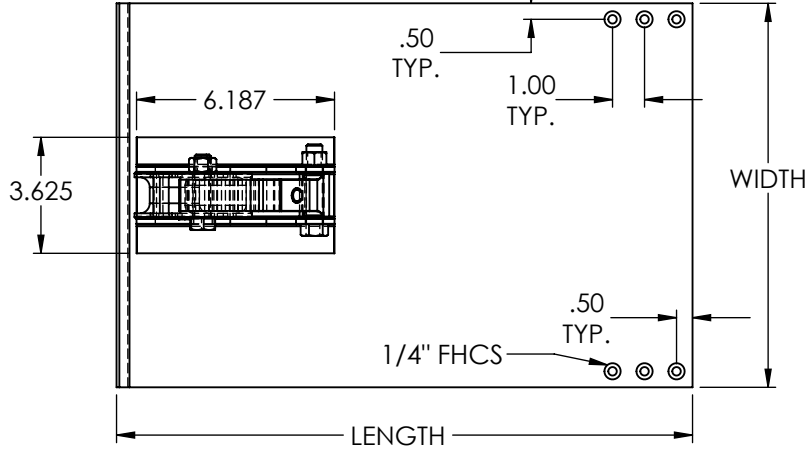


Install in accordance with Berger's written specifications and instructions. Contact Berger for detailed layout, spec sheet for detailed material, finishes, and configuration options. Do not scale drawings. Subject to change without notice



Base plate is measured in inches - L x W to match the slate dimension.

Slate Size: \_\_\_\_\_  
 Length: \_\_\_\_\_  
 Width: \_\_\_\_\_

**BERGER**<sup>®</sup>

QUALITY BUILDING PRODUCTS SINCE 1874

Berger Building Products, Inc  
 805 Pennsylvania Blvd  
 Feasterville, PA 19053

www.bergerbp.com

Phone: 800-523-8852  
 Fax: 215-355-7738

Mullane Firrite Fence Bracket  
 (for 3 Pipes)  
**FR131/FR132**

Material: Refer to Spec Sheet

SCALE  
**1:6**

DWG. NO.

SHEET 1 OF 1